

## Aluminum heating blocks

Quality – Made in Germany

As option for Cell-Trans 4016, Blockthermostat, Aspirator 3 with heating stage and Hot Plate following products are available:

### Big aluminum heating blocks for



12 CCD tubes  
y = 72 mm, Ø = 35.5 mm

REF 14413



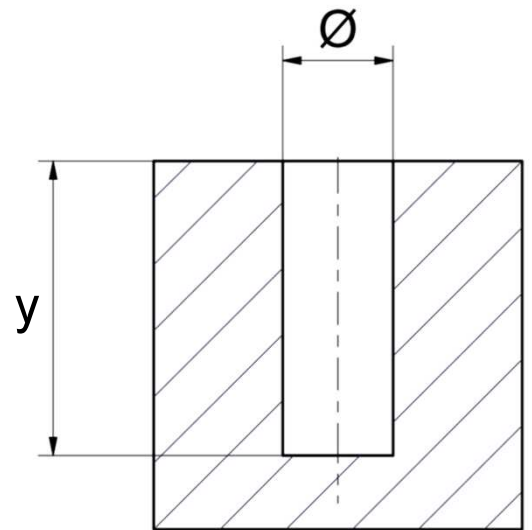
12 Falcon tubes à 50 ml  
y = 81 mm, Ø = 30.0 mm

REF 14870

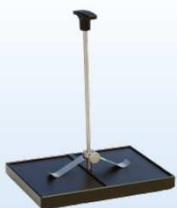


16 tubes à 20 ml  
y = 49 mm, Ø = 28.0 mm

REF 14522



### Big aluminum heating block for



up to 20 microtiter plates

REF 15212

## Big aluminum heating blocks for



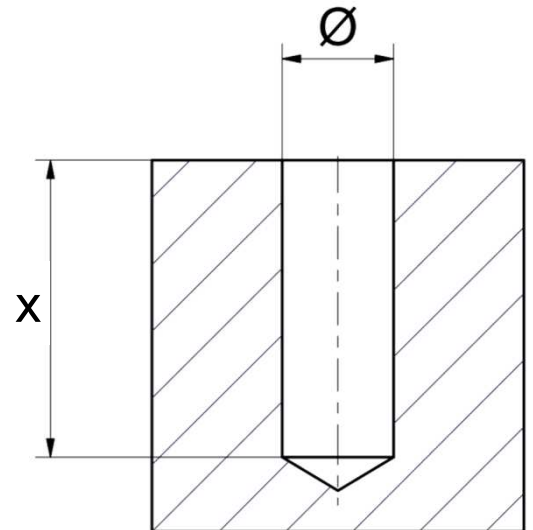
22 Falcon tubes à 5 ml  
 $x = 54 \text{ mm}$ ,  $\varnothing = 12.2 \text{ mm}$   
 or 38 Falcontubes à 13 ml  
 $x = 66 \text{ mm}$ ,  $\varnothing = 16.8 \text{ mm}$   
 (can be mixed)

REF 10264



26 tubes à 25 ml or 26 ml  
 (e.g. Falcon, Sarstedt or similar)  
 $x = 68 \text{ mm}$ ,  $\varnothing = 24.0 \text{ mm}$

REF 10277



## Small aluminum heating blocks for



8 tubes à 13 ml  
 $x = 60.5 \text{ mm}$ ,  $\varnothing = 16.8 \text{ mm}$

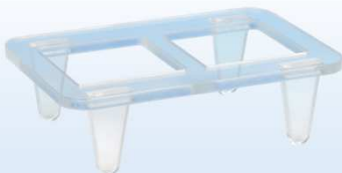
REF 12974



5 tubes à 25 ml or 26 ml  
 (e.g. Falcon, Sarstedt or similar)  
 $x = 59 \text{ mm}$ ,  $\varnothing = 24.0 \text{ mm}$

REF 12977

## Extra equipment for Cell-Trans 4016:



Position frame  
 for use of the Cell-Trans 4016 with 2 of the above mentioned  
 small aluminum heating blocks

REF 10258



certified company



Rev. 4\_01/2014